

INSTRUCTIONS FOR CAPRI TRACK

CP103 & CP203 (FLEXIBLE TRACK CONNECTORS)

Part No. 715607101

IMPORTANT SAFETY INSTRUCTIONS

This Track Connector is for use only with Capri Lighting's "CT" series track system. Care must be taken to see that Capri Track and all connections have been installed in accordance with their instruction sheets, and that the electrical system has been tested before installing fixtures.

DESCRIPTION: Surface mounted flexible track connector for joining two tracks at variable angles from 0° to 135°

Assembly:

Important: Disconnect power at panel before installation.

1. Determine approximate location of both tracks. Temporarily insert connector in tracks to determine the amount of space required to make the degree of bend desired.
2. Remove and mount one track in accordance with the instructions packed with the track. Fasten track in place securely.
3. Plug the Flexible Track Connector into both tracks, bend to desired angle, and mount second track securely. Tighten end screws at the inside end of the connector to lock it to the track.
4. Use CP103 for single circuit track connections. Use CP203 for two circuit track connections.

Note: May not be used to energize track.

NOTE:

When installing or using Capri Track system, basic safety precautions should always be followed. Read all instructions.

WARNING: RISK OF ELECTRICAL SHOCK OR FIRE:

NEVER

- install track to any vertical surface (e.g. walls, vertical beams, columns, door frames). Fixtures may not remain secure, electrical components may be exposed, and hot fixtures may come in contact with persons or combustibles.

NEVER

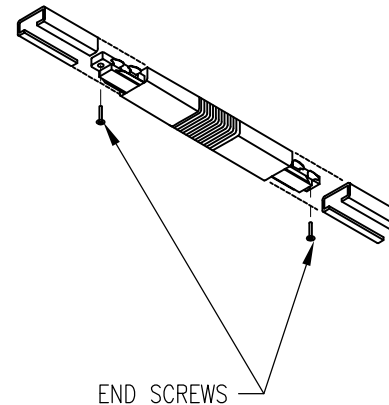
- install track in wet or damp locations;
- install any part of the track system less than 5 feet above the floor;
- install any fixture assembly closer than 6 inches from any curtain or similar combustible material; or
- attempt to connect power tools, extension cords, appliances or the like to the track.

ALWAYS

- disconnect electrical power before adding to or changing the configuration of the track.

WARNING: RISK OF FIRE. FAILURE TO TIGHTEN ALL CONNECTIONS ON TRACK POWER SUPPLIES, TRACK CONNECTORS, PENDANT KITS, CANOPIES, AND ANY OTHER ELECTRICAL TRACK COMPONENT MAY RESULT IN EXCESSIVE TEMPERATURE AT THE CONNECTIONS CAUSING SPARKS AND/OR FIRE.

SAVE THESE INSTRUCTIONS



capri
L I G H T I N G

Capri Lighting
776 South Green Street
Tupelo, MS 38804
662-842-7212
662-841-5501 fax

Canadian Division
189 Bullock Drive
Markham, Ontario L3P 1W4
905-294-9570
905-294-9811 fax