

# INSTRUCTIONS FOR CAPRI TRACK

## CB SERIES BARDOORS

Part No. 715610101

### IMPORTANT SAFETY INSTRUCTIONS

These Track Accessories are for use only with Capri Lighting's "CT" series track system. Care must be taken to see that Capri Track and all connections have been installed in accordance with their instruction sheets, and that the electrical system has been tested before installing fixtures.

DESCRIPTION: Instructions for attaching barndoors to track fixtures.

### INSTALLATION

1. Slide the three Spring Clips onto Barndoor. Space the three clips evenly around the outside of the Barndoor.
2. Place Barndoor onto Gimbal Ring. Push gently onto Barndoor until the three Spring Clips snap onto the Gimbal Ring.
3. With the clips in place, optional Louver and/or Lens can be added.

### NOTE:

When installing or using Capri Track system, basic safety precautions should always be followed. Read all instructions.

### WARNING: RISK OF ELECTRICAL SHOCK OR FIRE:

#### NEVER

- install track to any vertical surface (e.g. walls, vertical beams, columns, door frames).  
Fixtures may not remain secure, electrical components may be exposed, and hot fixtures may come in contact with persons or combustibles.

#### NEVER

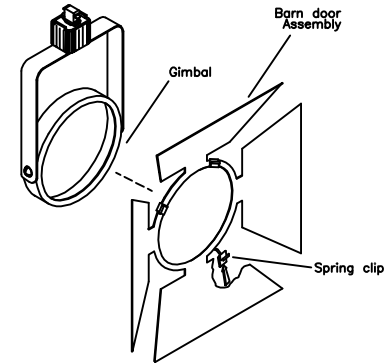
- install track in wet or damp locations;
- install any part of the track system less than 5 feet above the floor;
- install any fixture assembly closer than 6 inches from any curtain or similar combustible material; or
- attempt to connect power tools, extension cords, appliances or the like to the track.

#### ALWAYS

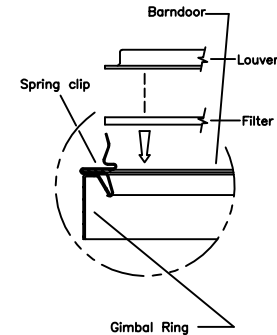
- disconnect electrical power before adding to or changing the configuration of the track.

**WARNING: RISK OF FIRE. FAILURE TO TIGHTEN ALL CONNECTIONS ON TRACK POWER SUPPLIES, TRACK CONNECTORS, PENDANT KITS, CANOPIES, AND ANY OTHER ELECTRICAL TRACK COMPONENT MAY RESULT IN EXCESSIVE TEMPERATURE AT THE CONNECTIONS CAUSING SPARKS AND/OR FIRE.**

SAVE THESE INSTRUCTIONS



(Side View)



**capri**  
LIGHTING

Capri Lighting  
776 South Green Street  
Tupelo, MS 38804  
662-842-7212  
662-841-5501 fax

Canadian Division  
189 Bullock Drive  
Markham, Ontario L3P 1W4  
905-294-9570  
905-294-9811 fax