

# INSTRUCTIONS FOR CAPRI TRACK

Part No. 715614101

## CA260 T-BAR POWER CONNECTOR COVER

### IMPORTANT SAFETY INSTRUCTIONS

This Track Component is for use only with Capri Lighting's "CT" series track system. Care must be taken to see that Capri Track and all connections have been installed in accordance with their instruction sheets, and that the electrical system has been tested before installing fixtures.

**DESCRIPTION:** T-bar Power Connector to be used in conjunction with CP110, CP111, CP113 or CP114 Single Circuit Capri Track Power Feed Connectors, or CP210, CP211, CP213 or CP214 Two Circuit Capri Track Power Feed Connectors. Connectors must be ordered separately. Provides for end wiring or electrically joining sections of Capri Track.

**IMPORTANT:** Disconnect power at panel before installing track connectors.

#### Assembly

1. Remove and discard the cover from track connector D. Save one countersunk screw A.
2. Remove slotted green screw B from track connector D and save this screw.
3. Position track connector D under tangs on CA260 plate E so that one hole from each are in alignment. Secure using the green hex screw C (provided with CA260 kit) through aligned holes.
4. Wire in accordance with instruction sheet provided with CP110, CP111, CP113, CP114, CP210, CP211, CP213 or CP214.
5. Install ground wire to CA260 plate E using slotted green screw B.
6. Remove knockouts as required from CA260 cover F.
7. Secure the CA260 cover F to track connector D using countersunk screw A.

Note: A single circuit connector is shown for illustrative purposes.

#### NOTE:

When installing or using Capri Track system, basic safety precautions should always be followed. Read all instructions.

#### WARNING: RISK OF ELECTRICAL SHOCK OR FIRE:

##### NEVER

- install track to any vertical surface (e.g. walls, vertical beams, columns, door frames).  
Fixtures may not remain secure, electrical components may be exposed, and hot fixtures may come in contact with persons or combustibles.

##### NEVER

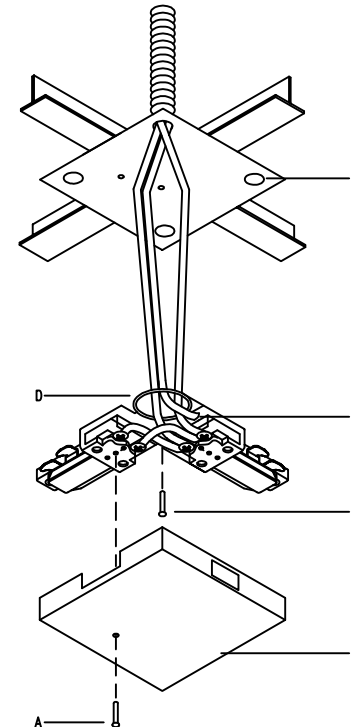
- install track in wet or damp locations;
- install any part of the track system less than 5 feet above the floor;
- install any fixture assembly closer than 6 inches from any curtain or similar combustible material; or
- attempt to connect power tools, extension cords, appliances or the like to the track.

##### ALWAYS

- disconnect electrical power before adding to or changing the configuration of the track.

**WARNING: RISK OF FIRE. FAILURE TO TIGHTEN ALL CONNECTIONS ON TRACK POWER SUPPLIES, TRACK CONNECTORS, PENDANT KITS, CANOPIES, AND ANY OTHER ELECTRICAL TRACK COMPONENT MAY RESULT IN EXCESSIVE TEMPERATURE AT THE CONNECTIONS CAUSING SPARKS AND/OR FIRE.**

SAVE THESE INSTRUCTIONS



**capri**  
L I G H T I N G

Capri Lighting  
776 South Green Street  
Tupelo, MS 38804  
662-842-7212  
662-841-5501 fax

Canadian Division  
189 Bullock Drive  
Markham, Ontario L3P 1W4  
905-294-9570  
905-294-9811 fax