

INSTRUCTIONS FOR CAPRI CYLINDERS INCANDESCENT PENDANT MOUNTED CYLINDERS

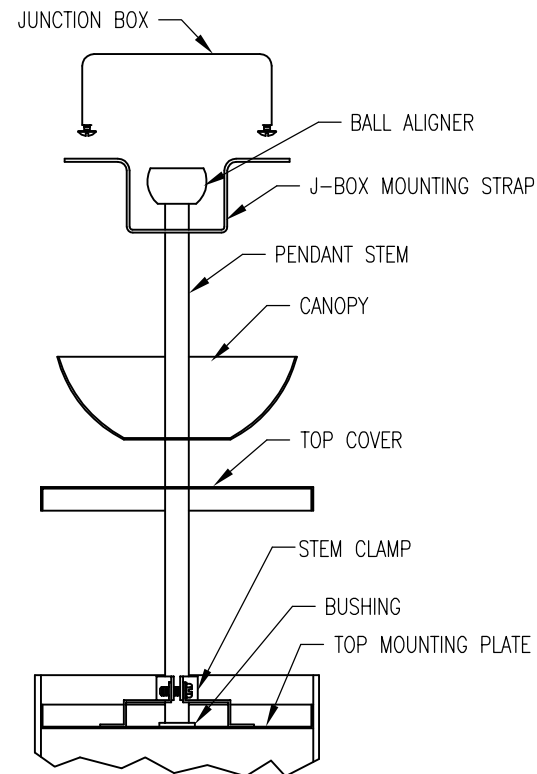
Part No. 715623101

IMPORTANT SAFETY INSTRUCTIONS

This equipment is intended to be installed by qualified personnel. The installation must be made in accordance with the current edition of the National Electrical code, and all applicable state and local building codes. The final installation must be approved by the appropriate, qualified electrical/building inspector(s). Improper installation may result in a fire or electrical hazard. Comply with all building codes!

INSTALLATION:

1. CUT PENDANT STEM TO DESIRED LENGTH (A MINIMUM DISTANCE OF 4 INCHES MUST BE MAINTAINED BETWEEN THE CANOPY AND TOP MOUNTING PLATE).
2. INSTALL BUSHING IN CUT END OF PENDANT STEM.
3. SLIDE CANOPY & TOP COVER ON TO PENDANT STEM.
4. INSERT PENDANT STEM INTO STEM CLAMP. BE SURE THAT PENDANT STEM IS RESTING ON TOP MOUNTING PLATE.
5. TIGHTEN STEM CLAMP SCREWS. BE SURE TO TIGHTEN SCREWS FULLY.
6. SECURE J-BOX MOUNTING STRAP TO JUNCTION BOX (SUPPLIED BY OTHERS).
7. SECURE FIXTURE TO J-BOX MOUNTING STRAP BY INSERTING BALL ALIGNER IN J-BOX MOUNTING STRAP.
8. ***WARNING*** CHECK SUPPLY VOLTAGE BEFORE MAKING ELECTRICAL CONNECTIONS AND VERIFY THAT THE SUPPLY VOLTAGE IS 120 VOLTS.
9. MAKE ALL ELECTRICAL CONNECTIONS. "CONNECT BLACK TO BLACK, WHITE TO WHITE, AND GROUND TO GROUND".
10. FASTEN CANOPY OVER JUNCTION BOX.
11. LAMP LUMINAIRE WITH APPROPRIATE LAMP TYPE AND WATTAGE.



capri
L I G H T I N G

Capri Lighting
776 South Green Street
Tupelo, MS 38804
662-842-7212
662-841-5501 fax

Canadian Division
189 Bullock Drive
Markham, Ontario L3P 1W4
905-294-9570
905-294-9811 fax