

application

- The Philips Capri LED Display Luminaire system offers two power supply variations that are sure to meet virtually every application need. One option is the CLPD plug-in power supply that is available in 25 watt capacity. The CLPD offers the convenience of a plug-in power supply which is ideal for lower wattage applications. Power supply is equipped with male connector and is ready to plug into luminaire. A second option is the CLD hard-wired power supplies which are available in 20 watt, 40 watt, and 60 watt capacities. The CLD power supplies are for use in applications requiring higher-wattage. CUCWC plug to wire connectors are required in hard-wired systems to connect power supply to the first luminaire in a run.

hard-wired features

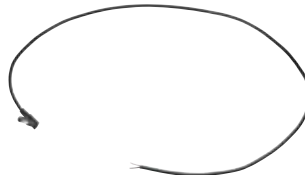
- Powers the Philips Capri LED Display Luminaire series.
- Hard-wired drivers offered in 20 watt, 40 watt, and 60 watt capacities.
- Universal voltage 120-240V.
- Only Hard-wired systems are dimming capable. (see dimming guide SW3-2.1).
- Hard-wired systems are IP67 rated for use in wet locations.
- Plug to wire connectors allow luminaires to be positioned 30", 60", or 120" remotely from power supplies and are required to run power to first luminaire.
- Optional CLDE, white powder coated electrical enclosure available for hard-wired systems. For aesthetic purposes only, not required.

plug-in features

- Powers the Philips Capri LED Display Luminaire series.
- Plug-in supplies offered in 25 watt, 120V capacity.
- Power supply equipped with male connector and ready to plug into first luminaire.

accessories (ordered separately)

- CUCWC plug to wire connectors are required in hard-wired systems to connect power supply to the first luminaire in a run.
CUCWC30..... 30" Plug to Wire Connector
CUCWC60..... 60" Plug to Wire Connector
CUCWC120..... 120" Plug to Wire Connector



CUCWC Hard-Wire / Plug to Wire Connector



Specifier's Reference

Project
Type
Model No.
Comments

Sample Catalog Number: CLD60U CUCWC60

HARD-WIRED POWER SUPPLY

Enclosure (optional)

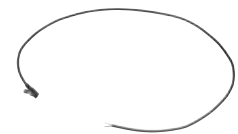
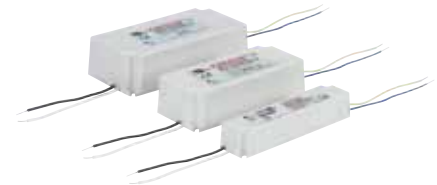
- BLANK
- No enclosure
- CLDE
Driver Enclosure

Power Supplies

- CLD20U- LED Remote Driver, 20 watt capacity¹
- CLD40U- LED Remote Driver, 40 watt capacity¹
- CLD60U- LED Remote Driver, 60 watt capacity¹

Required Connector Accessories (ordered separately)

- CUCWC30 - 30" Plug to Wire Connector²
- CUCWC60 - 60" Plug to Wire Connector²
- CUCWC120 - 120" Plug to Wire Connector²



CUCWC Connectors
Plug to wire connectors are complete with molded-in male connector to start power run directly from remote driver. 18 gauge wire stripped and ready for connection to driver. Lengths: 30", 60" and 120".

Footnotes

1. CLD drivers are 120-240V.
2. One connector required per driver to connect power to first luminaire.

Sample Catalog Number: CLPD25

PLUG-IN POWER SUPPLY

CLPD25

Power Supply

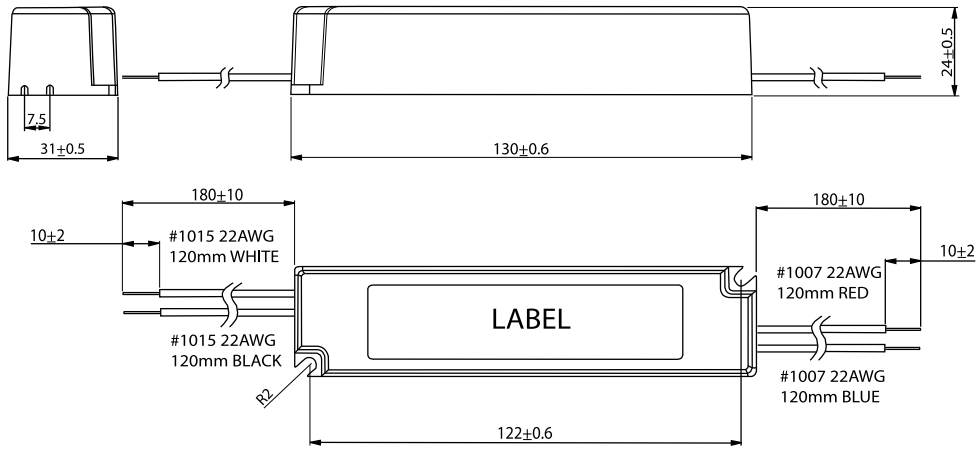
- CLPD25
LED Plug-In Power Supply,
25 watt capacity^{3,4}

Footnotes

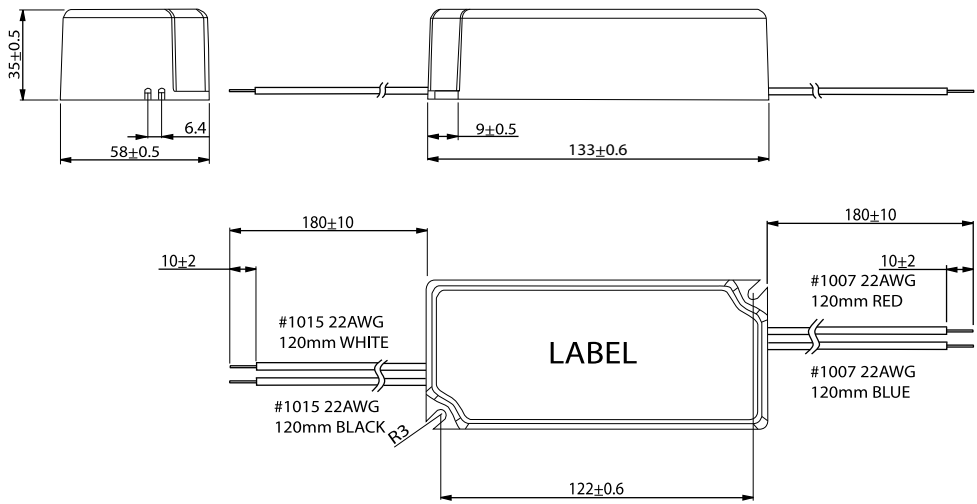
3. CLPD power supply is 120V only.
4. CLPD power supply is not dimmable.



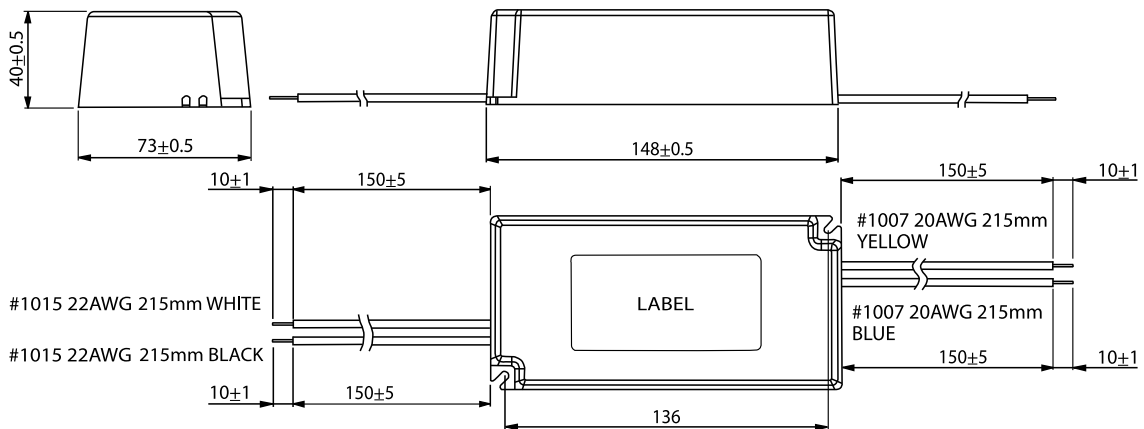
dimensions
CLD20



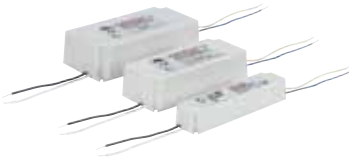
CLD40



CLD60



electrical information



Model	Cat. No.	Max No. Fixtures
CLD20	CUCL05	3
	CUCL15	1
CLD40	CUCL05	6
	CUCL15	2
CLD60	CUCL5	9
	CUCL15	3

Model Number		CLD20U	CLD40U	CLD60U
Input	Voltage Range	90~264 VAC Universal Input		
	Frequency Range	47~63Hz		
	Efficiency (Typical)	83%		
	AC Current	0.45A/VAC/115VAC	1A/115VAC	1.25/100VAC
		0.22A/240VAC	0.5A/240VAC	0.7A/240VA
	Inrush Current (max.)	50A/230VAC Cold Start		
	Leakage Current	0.5mA/240VAC/50Hz		0.75mA/132VAC/60Hz
Output	DC Voltage	12±3%		
	Rated Current	1.7A	3.4A	5.0A
	Rated Power	20W	40W	60W
	Protection	OVP, Short-Current, OTP, OPP, Current Limit		
Environmental Ratings	Operating Ambient Temperature	-20° C~+60°C		
	Storage Ambient Temp./Humidity	-40~+80°C		
	Relative Humidity	Waterproof IP67		
Others	Dimensions (inches) L x W x H	5"x1"x1"	5"x2"x1"	6"x3"x1.5"
	MTBF	100,000hrs./ 25°C Ambient		
	Safety Approval Report	UL1310 Class 2, TUV EN60950, CB		
	EMC Standards	EN55022 Class B, EN55024, EN61000-3-2,3, IEC61000-4-2,3,4,5,6,8,11(CE)		CE EN55015
				EN55024



Model	Cat. No.	Max No. Fixtures
CLPD25	CUCL05	3
	CUCL15	1

Model Number		CLPD25
Input	Voltage Range	120V
	Frequency Range	47~63Hz
	Efficiency (Typical)	81%
	AC Current	0.7/100VAC
	Inrush Current (max.)	25A/115VAC
	Leakage Current	0.25mA/240VAC
Output	DC Voltage	12V
	Rated Current	2.08A
	Rated Power	25W
	Protection	Overload, Over Voltage
Environmental Ratings	Operating Ambient Temperature	-0° C~+50°C
	Storage Ambient Temp./Humidity	-20~+85, 10~95% RH
	Relative Humidity	20%~+90 RH non-condensing
Others	Dimensions (inches) L x W x H	3"x2"x1"
	MTBF	500,000hrs. min. Ambient 25°C
	Safety Approval Report	UL60950-1, CSAC22.2, BSMI, CNS14336
	EMC Standards	Compliance to FCC PART 15/ CISPR22 class B, CNS 13438 class B
	Connector Plug	P1J, 2.1Ø* 11mm, center positive



©2011 Philips Capri
 All rights reserved.
 776 South Green Street • Tupelo, MS 38804
 p. 800.234.1890 • f. 662.841.5501
 www.caprilighting.com
 Canadian Division
 189 Bullock Drive • Markham, Ontario L3P 1W4
 p. 905.294.9570 • f. 905.294.9811

Contact Factory for Additional Configurations.
 Specifications are subject to change without notice.
 Some luminaires use fluorescent or high intensity discharge (HID) lamps that contain small amounts of mercury. Such lamps are labeled, "Contain Mercury" and/or the symbol "HG". Lamps that contain mercury must be disposed of in accordance with local requirements. Information regarding lamp recycling and disposal can be found at www.lamprecycle.org