

CV6117

Low Voltage 12V

Integral Low Voltage Gimbal

Catalog Number: _____

Type _____

Project: _____



CV6117

Description

Compact adjustable accent track luminaire for use with a wide range of beamspreads from MR16 low voltage lamps. Yoke permanently adjusts to position the lamp in any direction. Designed for use on either circuit of Capri combination one and two circuit track.

Features

- Low profile construction, only slightly larger than the lamp itself.
- Adjustable yoke permits aiming in any direction.
- Track adapter locks fixture firmly to track.
- Nylon scratch guard.
- cUL listed.
- Integral on/off switch on track plug housing permits interruption of power for routine lamp maintenance.

Lamps Available:
20-75W MR16

CATALOG SYSTEM AND OPTIONS

SAMPLE CATALOG NUMBER: CV6117W

Track Head	Finishes
CV6117	W White BK Black SL Silver

Footnotes:
1. See back for details.

Accessories (order separately)		
Louvers ¹	Filters ¹	Snoot
CL0	CF0-CF12	CB10

SPECIFICATIONS

Accessories (Order separately)

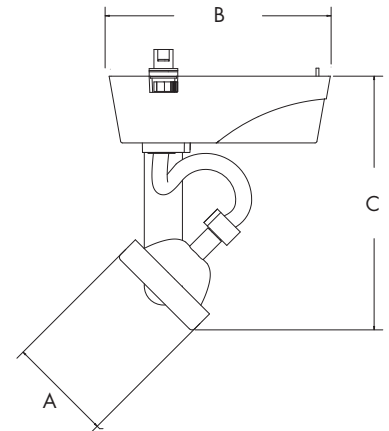
Louvers - Matte black cell construction provides additional shielding and cutoff.

1. Gimbal Ring - Powder painted die-formed steel.
2. Yoke - Die-formed steel rotates 180° horizontally and swivels 90° vertically, permitting aiming in any direction. Permanent tension swivel maintains setting after adjustment.
3. Socket - Bi-pin silver plated double contact porcelain on MR16.
4. Transformer - Integral electronic power supply reduces track line voltage (120V) to 12 volts.
5. Finishes - Choice of painted finishes W (white), BK (black) or SL (silver).

DIMENSIONS

Catalog #	Dimensions		
	A	B	C
CV6117	2-3/16" (55 mm)	4-9/16" (116 mm)	5 1/4" (133 mm)

Legend
Diameter: A
Length: B
Max. Extension: C



REV. 09/10

LAMP DATA

75W 14° 11500 4000

MR16
narrow spot EYF

Consult lamp manufacturer for availability and performance data.

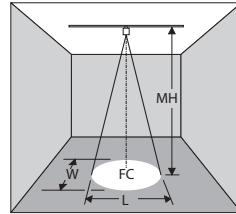
75W 42° 2200 4000

MR16
flood EYC

Consult lamp manufacturer for availability and performance data.

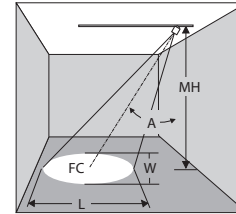
MH	FC	L	W	D	C	CBCP
Distance from the fixture to illuminated surface	Footcandle level at center of beam	Beam length in feet	Beam width in feet	Distance from the fixture to the wall	Distance to the center of the beam from the ceiling	Center beam candlepower

0° Horizontal



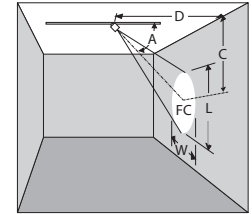
$$FC = CBCP / MH^2$$

30°, 45°, or 60° Horizontal



$$FC = CBCP / MH^2$$

30°, 45°, or 60° Vertical

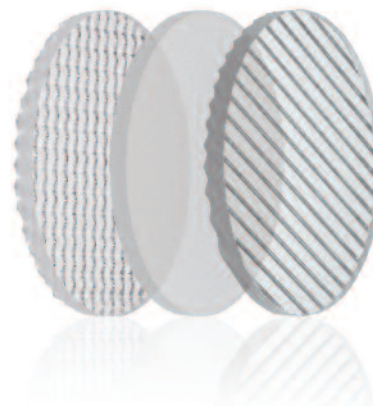


$$FC = CBCP / D^2$$

FILTER ORDERING CHART

Catalog #	Diameter	Description
CF0	2"	Solite Lens
CF1	2"	Clear Glass
CF2	2"	Spread Lens Filter
CF3	2"	Medium Blue Filter
CF4	2"	Medium Red Filter
CF5	2"	Medium Green Filter
CF7	2"	Yellow Filter

Catalog #	Diameter	Description
CF8	2"	Pink Filter
CF9	2"	Linear Spread Lens
CF10	2"	UV Filter
CF11	2"	Frosted Lens
CF12	2"	Medium Amber Filter



Philips Capri reserves the right to make changes without notice.©2010