

CT6538, CT6510

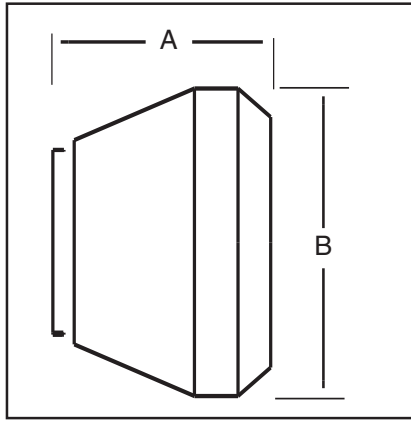
Accessories

atTRACtion

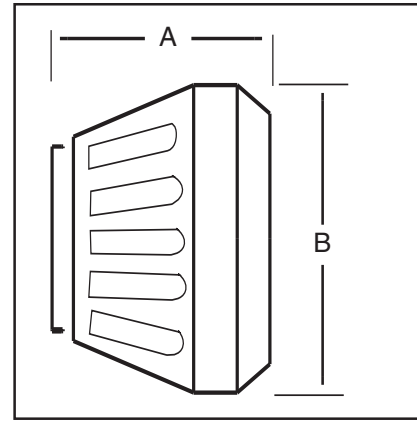
Catalog Number: _____

Type _____

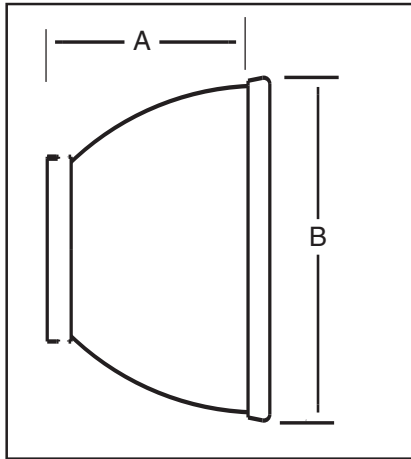
Project: _____



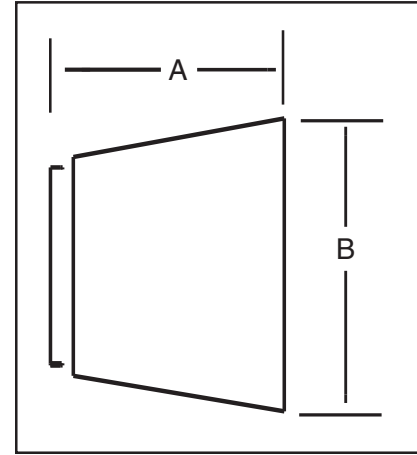
		A	B
CZ25	PAR20	2 1/2" (63mm)	3 1/2" (88mm)
CZ35	PAR30	2 5/8" (65mm)	4 3/4" (120mm)
CZ35L	PAR30L	3 3/8" (92mm)	4 3/4" (120mm)
CZ38	PAR38	4" (101mm)	6 1/4" (158mm)



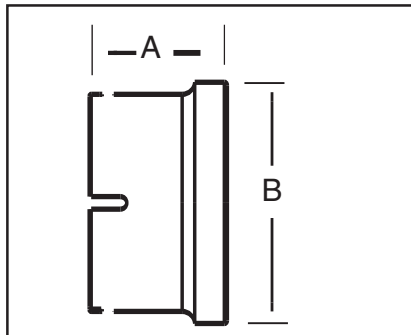
		A	B
CS25	PAR20	2 1/2" (63mm)	3 1/2" (88mm)
CS35	PAR30	2 5/8" (65mm)	4 3/4" (120mm)
CS35L	PAR30L	3 3/8" (92mm)	4 3/4" (120mm)
CS38	PAR38	4" (101mm)	6 1/4" (158mm)



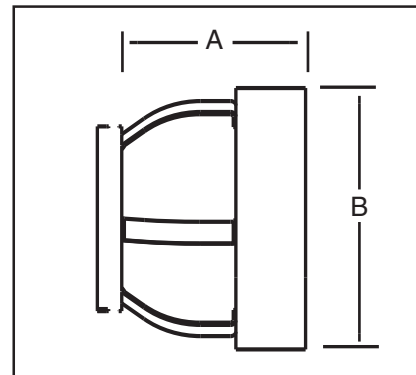
		A	B
CM25	PAR20	2 1/2" (63mm)	4" (101mm)
CM35	PAR30	2 3/4" (69mm)	4 3/4" (120mm)
CM35L	PAR30L	3 3/4" (95mm)	4 3/4" (120mm)
CM38	PAR38	4 1/2" (114mm)	5 1/2" (139mm)



		A	B
CC25	PAR20	2 1/4" (57mm)	3 1/4" (82mm)
CC35	PAR30	2" (50mm)	6" (152mm)
CC35L	PAR30L	3 5/8" (92mm)	5" (127mm)
CC38	PAR38	4 1/4" (107mm)	6 1/4" (158mm)



		A	B
CO25		2" (25.4mm)	2 1/4" (57mm)



		A	B
CG25	PAR20	3" (76mm)	2" (51mm)
CG35	PAR30	3 1/2" (88mm)	3 1/4" (82mm)
CG35L	PAR30L	4 1/4" (108mm)	4" (101mm)
CG38	PAR38	5 1/4" (133mm)	4" (101mm)

REV. 09/05

Capri Lighting reserves the right to make changes without notice.©2005

TR1-23

CAPRI LIGHTING:
776 South Green St., Tupelo, MS 38804
Phone 662.842.7212 FAX 662.841.5501
www.caprilighting.com

CANADIAN DIVISION:
189 Bullock Drive, Markham, Ontario, Canada L3P 1W4
Phone 905.294.9570 FAX 800.268.0003

capri
L I G H T I N G