

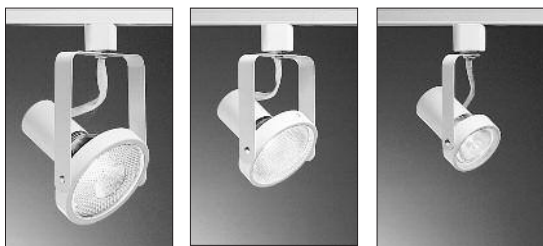
CT6038, CT6035, CT6025

Line Voltage 120V
Front Loaded Gimbal

Catalog Number: _____

Type _____

Project: _____



CT6038

CT6035

CT6025

CT6035L

Description

Compact adjustable accent lights for a wide range of beamspreads in line voltage lamps. Yoke permanently adjusts to position lamp in any direction. Designed for use on either circuit of Capri combination one or two circuit track.

Features

- Low profile construction, only slightly larger than the lamp itself.
- Adjustable yoke permits aiming in any direction.
- Nylon scratch guard.
- c/UL Listed.
- Captive lamp sockets.
- Integral switch on track plug housing permits interruption of power for routine lamp maintenance.
- Socket enclosure supported for ease of lamp maintenance without handling electrical contacts.

Lamps Available:

- CT6038: 45W - 250W PAR38
 CT6035: 50W - 75W PAR30
 CT6025: 20-50W PAR20
 CT6035L: 50W - 75W PAR30L

CATALOG SYSTEM AND OPTIONS

SAMPLE CATALOG NUMBER: CT6038W

Track Head

Finishes

CT6038	W White
CT6035	BK Black
CT6035L	SL Silver
CT6025	

General Notes:

1. See back for details.
2. Requires accessory ring.

Accessories (order separately)

Accessory Ring	Louvers ²	Louvers/Filter Holders ²	Filters ^{1,2}	Barndoors ²
CA238	CL38	CH38	CF22-CF27	CB38
CA235	CL35	CH35	CF13-CF17	CB35
CA225	CL25	CH25	CF43-CF46	CB25

ACCESSORY CHART

	PAR20	PAR30/PAR30L	PAR38
Gimbal Ring	CA225*	CA235*	CA238
Louver/Filter Holder	CH25	CH35	CH38
Louver	CL25	CL35	CL38
Barndoor	CB25	CB35	CB38
Filter Series	CF43-CF46	CF13-CF17	CF22-CF27

* Required when using any accessory.

SPECIFICATIONS

1. **Gimbal Ring** - Powder painted die-formed steel.
2. **Yoke** - Die-formed steel rotates 358° horizontally and swivels 90° vertically, permitting aiming in any direction, from horizontal to vertical. Permanent tension swivel maintains setting after adjustment.
3. **Socket Enclosure** - Die-stamped, finished to match gimbal ring. Porcelain, medium base socket, with nickel plated copper screw shell.
4. **Finishes** - Choice of painted finishes W (white) or BK (black) or SL (silver).

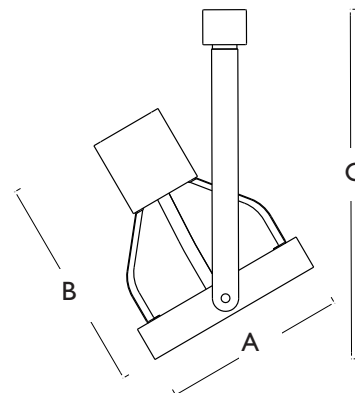
- Accessories** (Order separately) Accessory ring required for use with any accessory. See above for ordering.
- Color Filters** - Choice of blue, red, green or amber. See back for details.
- Spread Lens** - Specify CF22. See back for details.
- UV Filter** - Specify CF17, CF27, CF40. See back for details.
- Louvers** - Matte black deep cell construction provides additional shielding and cutoff.
- Louver/Filter Holders** - Retaining ring, fastened to cylinder by tension screw. Accepts louver and/or filter. Available only in black.
- Barndoors** - Set of four adjustable blades. Provides additional shielding. Accepts louvers and/or filters. Available only in black.

This product may be covered by one or more of the following U.S. Patents: #4,822,292, #4,931,917, #5,325,281. Other U.S. or Foreign Patents may apply.

DIMENSIONS

Catalog #	Dimensions		
	A	B	C
CT6038	5 1/4" (133 mm)	6 1/4" (143 mm)	10 1/4" (260 mm)
CT6035	4 1/4" (108 mm)	5 1/2" (139 mm)	8 1/2" (216 mm)
CT6035L	4 1/4" (108 mm)	6 3/8" (162 mm)	9 1/8" (232 mm)
CT6025	3" (76 mm)	4 1/4" (108 mm)	6 1/2" (165 mm)

Legend
 Diameter: A
 Length: B
 Max. Extension: C



REV. 10/11

LAMP DATA

LEGEND

- D Distance from wall to track in feet.
- H Distance from ceiling to center of object in feet.
- S Spacing between fixtures for uniform (2:1) illumination.
- FC Footcandle level at center of beam. Footcandle values have been cosine corrected.
- L Effective visual beam length in feet.
- W Effective visual beam width in feet.

Note: Beamspreads are measured to 50% MCP.

PAR20

50W, 120V NARROW SPOT

RATED LIFE: 2000 hours BEAM SPREAD: 10°

NARROW SPOT



VERTICAL		D = DISTANCE FROM WALL (FEET)														
		0'			3'			4'			5'			6'		
H	S	FC	L	W	FC	L	W	FC	L	W	FC	L	W	FC	L	W
4	1.1	377	0.7	0.7	145	1.5	0.9	133	1.4	1.0	114	1.5	1.1	96	1.5	1.3
6	1.5	167	1.0	1.0	61	2.6	1.2	65	2.3	1.3	64	2.1	1.4	59	2.1	1.5
8	2.0	94	1.4	1.4	30	4.3	1.5	34	3.5	1.5	36	3.2	1.7	36	2.9	1.7
10	2.5	60	1.7	1.7	15	7.6	1.9	19	5.2	1.9	22	4.4	1.9	23	4.0	2.0

PAR20

50W, 120V NARROW FLOOD

RATED LIFE: 2000 hours BEAM SPREAD: 26°

NARROW FLOOD



VERTICAL		D = DISTANCE FROM WALL (FEET)														
		0'			2'			3'			4'			5'		
H	S	FC	L	W	FC	L	W	FC	L	W	FC	L	W	FC	L	W
3	2.0	206	1.4	1.4	80	3.3	1.7	73	2.9	2.0	59	3.0	2.3	47	3.2	2.7
4	2.6	116	1.8	1.8	42	5.6	2.0	45	4.2	2.3	41	3.9	2.6	35	4.0	3.0
5	3.4	74	2.3	2.3	24	9.8	2.5	28	6.1	2.7	28	5.1	2.9	26	4.9	3.3
6	4.0	51	2.8	2.8	14	11.6	3.0	19	8.5	3.1	20	6.7	3.3	19	6.0	3.6

PAR30

75W, 120V NARROW FLOOD

RATED LIFE: 2000 hours BEAM SPREAD: 27°

NARROW FLOOD



VERTICAL		D = DISTANCE FROM WALL (FEET)														
		0'			2'			3'			4'			5'		
H	S	FC	L	W	FC	L	W	FC	L	W	FC	L	W	FC	L	W
3	1.8	395	1.4	1.4	153	3.5	1.7	140	3.1	2.0	113	3.1	2.4	90	3.4	2.8
4	2.4	222	1.9	1.9	81	6.0	2.1	86	4.4	2.4	78	4.1	2.7	67	4.1	3.1
5	3.0	142	2.4	2.4	46	9.0	2.6	54	6.5	2.8	55	5.3	3.1	50	5.1	3.4
6	3.6	99	2.9	2.9	27	12.8	3.1	36	9.0	3.2	38	7.0	3.4	37	6.3	3.7

PAR30

75W, 120V FLOOD

RATED LIFE: 2000 hours BEAM SPREAD: 36°

FLOOD



VERTICAL		D = DISTANCE FROM WALL (FEET)														
		0'			2'			3'			4'			5'		
H	S	FC	L	W	FC	L	W	FC	L	W	FC	L	W	FC	L	W
2	1.6	650	1.3	1.3	230	2.9	1.8	166	3.0	2.4	116	3.4	3.6	83	3.8	3.5
3	2.3	289	1.9	1.9	112	5.4	2.3	102	4.4	2.8	83	4.3	4.1	66	4.6	3.8
4	3.1	163	2.6	2.6	59	8.2	2.9	63	6.6	3.2	57	5.8	4.6	49	5.8	4.2
5	3.9	104	3.2	3.2	34	10.6	6.9	39	10.4	3.8	40	7.8	5.2	37	7.3	4.6

PAR38

90W, 120V SPOT

RATED LIFE: 2000 hours BEAM SPREAD: 10°

SPOT



VERTICAL		D = DISTANCE FROM WALL (FEET)														
		0'			3'			4'			5'			6'		
H	S	FC	L	W	FC	L	W	FC	L	W	FC	L	W	FC	L	W
4	1.0	1161	0.7	0.7	447	1.5	0.9	411	1.4	1.0	352	1.5	1.1	296	1.5	1.3
6	1.5	516	1.0	1.0	187	2.6	1.2	200	2.3	1.3	196	2.1	1.4	182	2.1	1.5
8	2.0	290	1.4	1.4	91	4.3	1.5	105	3.5	1.5	111	3.2	1.7	112	2.9	1.7
10	2.5	186	1.7	1.7	47	7.6	1.9	60	5.2	1.9	67	4.4	1.9	70	4.0	2.0

PAR38

90W, 120V FLOOD

RATED LIFE: 2000 hours BEAM SPREAD: 30°

FLOOD



VERTICAL		D = DISTANCE FROM WALL (FEET)														
		0'			2'			3'			4'			5'		
H	S	FC	L	W	FC	L	W	FC	L	W	FC	L	W	FC	L	W
3	1.9	472	1.6	1.6	183	4.1	1.9	167	3.5	2.3	136	3.5	2.7	107	4.2	3.1
4	2.5	266	2.1	2.1	96	7.2	2.4	102	5.1	2.7	94	4.6	3.0	81	4.7	3.4
5	3.2	170	2.7	2.7	55	10.0	2.9	64	7.6	3.1	65	6.1	3.4	60	5.8	3.8
6	3.8	118	3.2	3.2	33	12.0	3.5	43	10.8	3.5	46	8.1	3.8	45	7.2	4.2

PAR38

Q250W, 120V SPOT

RATED LIFE: 6000 hours BEAM SPREAD: 14°

SPOT



VERTICAL		D = DISTANCE FROM WALL (FEET)														
		0'			3'			4'			5'			6'		
H	S	FC	L	W	FC	L	W	FC	L	W	FC	L	W	FC	L	W
6	1.6	1295	1.5	1.5	470	3.8	1.6	501	3.2	1.8	491	3.0	1.9	458	3.0	2.1
8	2.1	729	2.0	2.0	229	6.4	2.1	265	5.1	2.2	278	4.5	2.3	281	4.2	2.4
10	2.6	466	2.5	2.5	118	11.9	2.7	151	7.7	2.6	169	6.3	2.7	177	5.8	2.9
12	3.1	324	2.9	2.9	74	16.6	3.0	95	10.6	3.0	108	8.8	3.1	118	7.6	3.2

PAR38

Q250W, 120V FLOOD

RATED LIFE: 6000 hours BEAM SPREAD: 27°

FLOOD



VERTICAL		D = DISTANCE FROM WALL (FEET)														
		0'			3'			4'			5'			6'		
H	S	FC	L	W	FC	L	W	FC	L	W	FC	L	W	FC	L	W
4	2.7	640	1.9	1.9	246	4.4	2.4	226	4.1	2.7	194	4.1	3.1	163	4.3	3.5
6	4.0	284	2.9	2.9	103	9.0	3.2	110	7.0	3.4	108	6.3	3.7	101	6.1	4.1
8	5.3	160	3.8	3.8	50	17.2	4.0	58	12.0	4.2	61	10.0	4.5	62	8.9	4.8
10	6.6	102	4.8	4.8	26	19.0	5.2	33	18.0	5.1	37	15.0	5.3	39	12.9	5.6

FILTER ORDERING CHART Requires accessory ring (CA225, CA235, CA238) and louver filter holder (CH25, CH35, CH38)

Catalog #	Diameter	Description
PAR30/PAR30L		
CF13*	3 5/8"	Blue Filter
CF14*	3 5/8"	Red Filter
CF15*	3 5/8"	Green Filter
CF16*	3 5/8"	Amber Filter
CF17*	3 5/8"	UV Filter
PAR38		
CF22**	5"	Spread Lens
CF23**	5"	Blue Filter
CF24**	5"	Red Filter
CF25**	5"	Green Filter

Catalog #	Diameter	Description
PAR30/PAR30L		
CF13*	3 5/8"	Blue Filter
CF14*	3 5/8"	Red Filter
CF15*	3 5/8"	Green Filter
CF16*	3 5/8"	Amber Filter
CF17*	3 5/8"	UV Filter
PAR38		
CF22**	5"	Spread Lens
CF23**	5"	Blue Filter
CF24**	5"	Red Filter
CF25**	5"	Green Filter

* Requires CA235 & CH35
 ** Requires CA238 & CH38
 *** Requires CA225 & CH25

Capri Lighting reserves the right to make changes without notice. ©2011