

CT5204

Line Voltage 120V
Wall Wash

Catalog Number: _____

Type _____

Project: _____



CT5204

Description

Compact general illumination wall washer. Concealed permanent tension swivel permits rotation to position lamp in any direction. Wiring concealed inside stem. Designed for uniform light coverage with a sharp cutoff at the ceiling line. Provides excellent color rendition for walls, paintings, graphics or murals. Designed for use on either circuit of Capri combination one or two circuit track.

Features

- Compact, low profile housing with rectilinear shape.
- Extruded aluminum housing for strength, durability and heat dissipation.
- Permanent tension swivel concealed in housing, ensures fixed beam angle setting.
- Patterned reflector creates uniform light with high color temperature - 3000° K.
- Nylon scratch guard.
- C-UL listed.
- Integral switch on track plug housing permits interruption of power for routine lamp maintenance.

Lamps Available:

- Q1 50W
- T-4 Mini-can Quartz Frosted (ETH)

CATALOG SYSTEM AND OPTIONS

SAMPLE CATALOG NUMBER: CT5204BK

Track Head

Finishes

CT5204

- W White
- BK Black

Accessories (order separately)

Barn doors

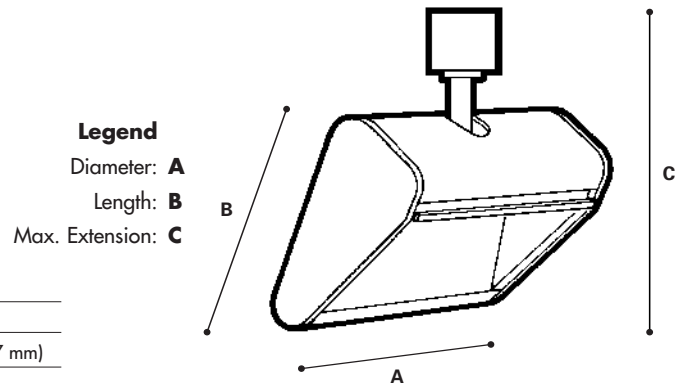
CB6

SPECIFICATIONS

1. **Housing** - Extruded aluminum housing with diecast end caps.
2. **Adjustable Stem** - Steel tube with concealed internal wireway. Rotates 358° horizontally and swivels 90° vertically. Permanent tension swivel maintains setting after adjustment.
3. **Reflector** - High reflectance, fine patterned aluminum. Clear anodized finish.
4. **Glass** - Clear rolled borosilicate. Hinged door provides easy access for relamping.
5. **Socket** - Mini-can screw base rotates laterally for easy relamping.
6. **Finishes** - Choice of painted finishes W (white) or BK (black).

This product may be covered by one or more of the following U.S. Patents: #4,822,292, #4,931,917, #5,325,281. Other U.S. or Foreign Patents may apply.

DIMENSIONS



Catalog #	Dimensions		
	A	B	C
CT5204	5 1/2" x 2 1/2" (140 x 64 mm)	4 5/8" (117 mm)	7 3/4" (197 mm)

REV. 09/05

CT5204

WALL WASHING USING CT5204

Use CT5204 Wall Wash chart below.

This chart illustrates three different spacing options, showing footcandle values on the wall at 1 foot intervals, both vertically and horizontally.

Example: For fixture placement of 4' from wall, 6' on center, use the third chart.

- 1 Read across the top row of the third chart to..... **R** = 3 ft.
- 2 Determine the desired distance from ceiling **H** = 6 ft.
- 3 The footcandle level halfway between the fixtures (3') and 6' down from the ceiling is 15 FC.

LEGEND

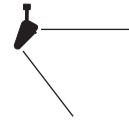
H Vertical distance from ceiling. **R** Horizontal distance from fixture. ▼ Locations of CT5204

CT5204 WALL WASH

T4 LAMP, 150W, 120V / VERY WIDE FLOOD

RATED LIFE: 3,000 hours

BEAMSPREAD: 7° x 5°



H	2' FROM WALL, 3' O.C.				3' FROM WALL, 5' O.C.					4' FROM WALL, 6' O.C.							
	R = DISTANCE FROM FIRST FIXTURE				R = DISTANCE FROM FIRST FIXTURE					R = DISTANCE FROM FIRST FIXTURE							
	0'	1'	2'	3'	0'	1'	2'	3'	4'	5'	0'	1'	2'	3'	4'	5'	6'
0'	30	35	35	30	29	27	23	27	29	23	22	20	18	20	22	23	
1'	137	112	112	137	59	49	41	41	49	59	34	31	27	26	27	31	34
2'	106	97	97	106	51	45	41	41	45	51	33	31	28	26	28	31	33
3'	72	66	66	72	42	38	36	36	38	42	29	27	26	24	26	27	29
4'	46	42	42	46	32	29	28	28	29	32	25	23	22	22	22	23	25
5'	28	28	28	28	23	22	21	21	22	23	20	19	18	18	18	19	20
6'	20	19	19	20	17	16	16	16	16	17	16	15	15	15	15	15	16
7'	14	14	14	14	13	12	12	12	12	13	13	12	12	12	12	12	13
8'	10	10	10	10	10	9	9	9	9	10	10	10	9	9	9	10	10
9'	7	7	7	7	8	7	7	7	7	8	8	8	8	8	8	8	8

Capri Lighting reserves the right to make changes without notice.©2005

TR1-32

CAPRI LIGHTING:
776 South Green St., Tupelo, MS 38804
Phone 662.842.7212 FAX 662.841.5501
www.caprilighting.com

CANADIAN DIVISION:
189 Bullock Drive, Markham, Ontario, Canada L3P 1W4
Phone 905.294.9570 FAX 800.268.0003

capri
LIGHTING