

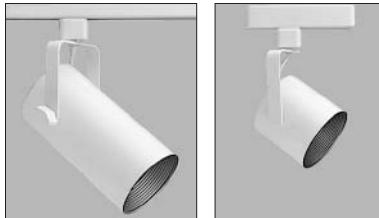
CV4416, CR4117

Low Voltage (12V)
Low Voltage Flatbacks

Catalog Number: _____

Type _____

Project: _____



CV4416

CR4117

Description

Versatile classic cylinder with flat back. Adjustable yoke mounting permits rotation to position lamp in any direction. Designed for use on either Capri combination one or two circuit track.

Features

- Cylinders accommodate energy efficient low voltage MR16.
- Deep drawn metal, one piece housing, provides strength and durability.
- Black grooved baffle reduces glare at aperture.
- Nylon scratch guard.
- c/UL listed.
- Integral switch on track plug housing permits interruption of power for routine lamp maintenance.

CATALOG SYSTEM AND OPTIONS

SAMPLE CATALOG NUMBER: CV4416-CP12W

Track Head	Power Supply ¹ (required)	Finishes
CV4416 ⁵ MR16 20W-50W CR4117 MR16 75W	CP12	W White BK Black

Accessories (order separately)

Louvers	Louwer/Filter Holders ²	Filters ⁴	Snoot ³	Barndoors ²
CL1 ² CLO ³	CH1	CF22-CF27	CB10	CB1

Footnotes:

1. Order separately, add 1-1/4" to 'C' dimension required for CR4117.
2. For use on CV4416 only.
3. For use on CR4117 only.
4. See back for details.
5. Integral transformer.

General Notes:

Lamp availability noted under track head.

SPECIFICATIONS

1. Housing - Deep drawn metal for maximum rigidity and strength.

2. Adjustable Yoke - Rotates 358° horizontally and swivels 90° vertically, permitting aiming in any direction, from horizontal to vertical.

3. Baffle - Precision spun aluminum with grooves to reduce aperture glare. Black finish.

4. Power Supply - Electronic power supply (CP12) reduces track line voltage (120V) to 12 volts. Ordered separately. CV4416 has integral magnetic 120V to 12V transformer.

5. Socket - Bi-pin silver plated double contact porcelain on MR16.

6. Finishes - Choice of painted finishes W (white) or BK (black).

Accessories (Order separately)
See above for ordering.

Color Filters - Choice of blue, red, green or amber, clear, yellow, pink or frosted. See back for details.

Spread Lens - For MR16 lamps. Specify CF2. See back for details.

Linear Spread Lens - For MR16 lamps. Specify CF9. See back for details.

UV Filter - For MR16 lamps. Specify CF10. For other sizes, consult factory. See back for details.

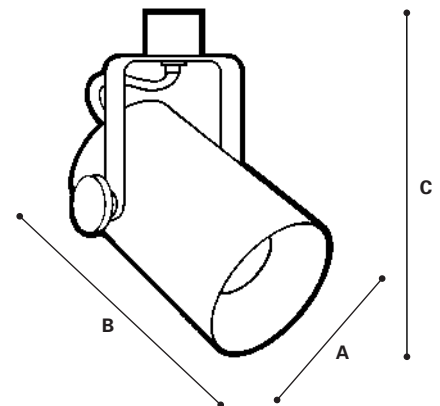
Snoot - Tubular shields used with narrow and medium beam MR16 lamps to reduce glare and improve visual cutoff. Available in black only.

This product may be covered by one or more of the following U.S. Patents: #4,822,292, #4,931,917, #5,325,281. Other U.S. or Foreign Patents may apply.

DIMENSIONS

Catalog #	Dimensions		
	A	B	C
CV4416	3 5/8" (92 mm)	7 1/4" (184 mm)	10 3/4" (241 mm)
CR4117	3 5/8" (92 mm)	3 5/8" (92 mm)	7 3/4" (197 mm)

Legend
Diameter: **A**
Length: **B**
Max. Extension: **C**



REV. 09/05

LAMP DATA

LEGEND

- D** Distance from wall to track in feet.
- H** Distance from ceiling to center of object in feet.
- S** Spacing between fixtures for uniform (2:1) illumination.
- FC** Footcandle level at center of beam. Footcandle values have been cosine corrected.
- L** Effective visual beam length in feet.
- W** Effective visual beam width in feet.

Note: Beamspreads are measured to 50% MCP.

MR16 (FRA) SPOT

35W, 12V SPOT
RATED LIFE: 4000 hours BEAM SPREAD: 20°

VERTICAL		D = DISTANCE FROM WALL (FEET)														
		0'			2'			3'			4'			5'		
H	S	FC	L	W	FC	L	W	FC	L	W	FC	L	W	FC	L	W
3	1.3	426	1.1	1.1	165	2.4	1.3	151	2.2	1.5	123	2.3	1.8	97	2.5	2.1
4	1.7	240	1.4	1.4	87	3.9	1.6	92	3.1	1.8	85	2.9	2.0	73	3.0	2.3
5	2.1	154	1.8	1.8	50	6.2	1.9	58	4.4	2.1	59	3.7	2.2	54	3.6	2.5
6	2.5	107	2.1	2.1	30	10.5	2.3	39	5.8	2.3	41	4.8	2.5	40	4.5	2.7

MR16 (EZY) VERY NARROW SPOT

42W, 120V VERY NARROW SPOT
RATED LIFE: 3500 hours BEAM SPREAD: 9°

VERTICAL		D = DISTANCE FROM WALL (FEET)														
		0'			3'			4'			5'			6'		
H	S	FC	L	W	FC	L	W	FC	L	W	FC	L	W	FC	L	W
4	0.8	817	0.6	0.6	315	1.3	0.8	289	1.3	0.9	248	1.3	1.0	209	1.4	1.1
6	1.2	363	0.9	0.9	132	2.3	1.0	141	2.0	1.1	138	1.9	1.2	128	1.9	1.3
8	1.5	204	1.3	1.3	64	3.8	1.3	74	3.1	1.4	78	2.8	1.5	79	2.6	1.6
10	1.9	131	1.6	1.6	33	6.7	1.7	42	4.7	1.7	47	3.9	1.7	50	3.6	1.8

MR16 (EXT) SPOT

50W, 12V SPOT
RATED LIFE: 4000 hours BEAM SPREAD: 14°

VERTICAL		D = DISTANCE FROM WALL (FEET)														
		0'			2'			3'			4'			5'		
H	S	FC	L	W	FC	L	W	FC	L	W	FC	L	W	FC	L	W
4	1.0	645	1.0	1.0	234	2.5	1.1	248	2.1	1.2	228	2.0	1.4	195	2.1	1.6
5	1.3	413	1.2	1.2	133	3.9	1.3	156	2.9	1.4	158	2.5	1.6	146	2.5	1.7
6	1.6	286	1.5	1.5	80	6.0	1.6	104	3.8	1.6	111	3.2	1.8	109	3.0	1.9
7	2.0	210	1.7	1.7	54	7.9	1.8	72	4.8	1.8	79	4.1	2.0	82	3.7	2.1

MR16 (EXZ) NARROW FLOOD

50W, 12V NARROW FLOOD
RATED LIFE: 4000 hours BEAM SPREAD: 27°

VERTICAL		D = DISTANCE FROM WALL (FEET)														
		0'			2'			3'			4'			5'		
H	S	FC	L	W	FC	L	W	FC	L	W	FC	L	W	FC	L	W
3	1.8	350	1.4	1.4	135	3.5	1.7	124	3.1	2.0	101	3.1	2.4	79	3.4	2.8
4	2.4	197	1.9	1.9	71	6.0	2.1	76	4.4	2.4	70	4.1	2.7	60	4.1	3.1
5	2.3	126	2.4	2.4	41	7.2	2.6	48	6.5	2.8	48	5.3	3.1	44	5.1	3.4
6	3.6	87	2.9	2.9	24	11.6	3.1	32	9.0	3.2	34	7.0	3.4	33	6.3	3.7

MR16 (EXN) FLOOD

50W, 12V FLOOD
RATED LIFE: 4000 hours BEAM SPREAD: 40°

VERTICAL		D = DISTANCE FROM WALL (FEET)														
		0'			2'			3'			4'			5'		
H	S	FC	L	W	FC	L	W	FC	L	W	FC	L	W	FC	L	W
2	1.6	477	1.5	1.5	168	3.4	2.1	122	3.4	3.1	85	3.8	3.3	61	4.3	3.9
3	2.4	212	2.2	2.2	82	6.6	2.6	75	5.0	3.1	61	4.9	3.6	48	5.6	4.2
4	3.3	119	2.9	2.9	43	10.0	3.2	46	7.9	3.6	42	6.7	4.1	36	6.6	4.7
5	4.0	76	3.6	3.6	25	14.0	3.9	29	13.0	4.2	29	9.2	4.6	27	8.4	5.1

MR16 (EYC) FLOOD

75W, 12V FLOOD
RATED LIFE: 4000 hours BEAM SPREAD: 42°

VERTICAL		D = DISTANCE FROM WALL (FEET)														
		0'			2'			3'			4'			5'		
H	S	FC	L	W	FC	L	W	FC	L	W	FC	L	W	FC	L	W
2	1.7	601	1.5	1.5	212	3.6	2.2	153	2.4	3.3	107	4.0	3.4	77	4.6	4.1
3	2.5	267	2.3	2.3	103	7.4	2.7	94	5.4	3.3	77	5.3	3.8	61	5.6	4.5
4	3.4	150	3.1	3.1	55	10.2	3.4	58	8.6	3.8	53	7.2	4.3	46	7.0	4.9
5	4.2	96	3.8	3.8	31	13.4	4.1	36	12.8	4.5	37	10.0	4.9	34	9.0	5.4

PAR36 NARROW SPOT

36W, 12V NARROW SPOT
RATED LIFE: 4000 hours BEAM SPREAD: 10°

VERTICAL		D = DISTANCE FROM WALL (FEET)														
		0'			3'			4'			5'			6'		
H	S	FC	L	W	FC	L	W	FC	L	W	FC	L	W	FC	L	W
4	1.1	319	0.7	0.7	123	1.5	0.9	113	1.4	1.0	97	1.5	1.1	81	1.5	1.3
6	1.5	142	1.0	1.0	51	2.6	1.2	55	2.3	1.3	54	2.1	1.4	50	2.1	1.5
8	2.0	80	1.4	1.4	25	4.3	1.5	29	3.5	1.5	30	3.2	1.7	31	2.9	1.7
10	2.4	51	1.7	1.7	13	7.6	1.9	16	5.2	1.9	19	4.4	1.9	19	4.0	2.0

MR16 (EYF) NARROW SPOT

75W, 120V NARROW SPOT
RATED LIFE: 4000 hours BEAM SPREAD: 14°

VERTICAL		D = DISTANCE FROM WALL (FEET)														
		0'			3'			4'			5'			6'		
H	S	FC	L	W	FC	L	W	FC	L	W	FC	L	W	FC	L	W
4	1.3	797	1.0	1.0	307	2.1	1.2	282	2.0	1.4	242	2.1	1.6	203	2.2	1.8
6	1.9	354	1.5	1.5	129	3.8	1.6	137	3.2	1.8	134	3.0	1.9	125	3.0	2.1
8	2.3	199	2.0	2.0	63	6.4	2.1	72	5.1	2.2	76	4.5	2.3	77	4.2	2.4
10	3.2	127	2.5	2.5	32	11.9	2.7	364	7.7	2.6	46	6.3	2.7	48	5.8	2.9

FILTER ORDERING CHART

Catalog #	Diameter	Description
CF1	2"	Clear Glass
CF2	2"	Spread Lens Filter
CF3	2"	Medium Blue Filter
CF4	2"	Medium Red Filter
CF5	2"	Medium Green Filter
CF7	2"	Yellow Filter
CF8	2"	Pink Filter
CF9	2"	Linear Spread Lens
CF10	2"	UV Filter

Catalog #	Diameter	Description
CF11	2"	Frosted Lens
CF12	2"	Medium Amber Filter
CF22	5"	Spread Lens
CF23	5"	Blue Filter
CF24	5"	Red Filter
CF25	5"	Green Filter
CF26	5"	Amber Filter
CF27	5"	UV Filter

Capri Lighting reserves the right to make changes without notice. ©2005